

# Screen Enclosure with Integrated Railing Instructions



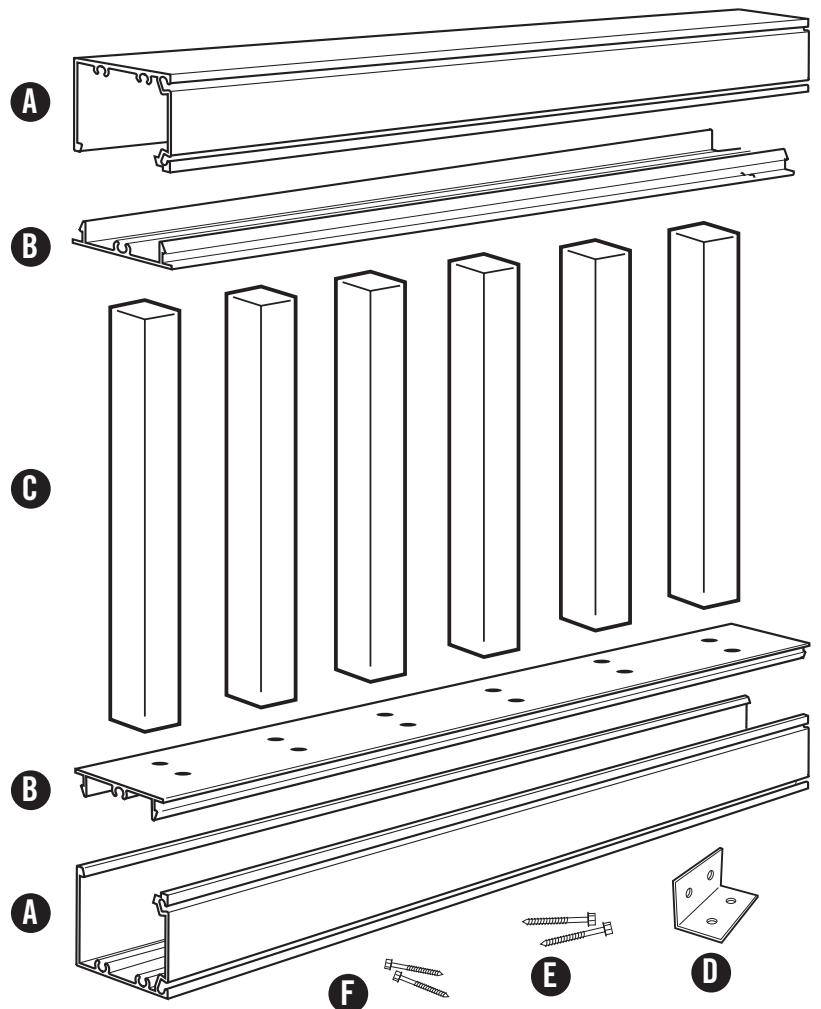
## Overview:

This instruction set shows the fabrication of the integrated railing portion of your screen enclosure. Additional steps are necessary for a complete screen enclosure.

## Parts:

- A. (2) 2x2" Open back (top and bottom rails)
- B. (2) Railing snap (top and bottom rails)
- C. (2.5) 1" Square Balusters per ft.
- D. (2) Capri Clips
- E. (4) 1.5" Fasteners per baluster
- F. (8) 3/4" Self Drilling Fasteners

Kits come in 8' lengths



# Step by step Instructions

## Step 1

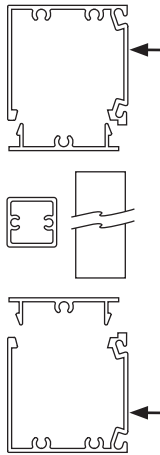
Measure and cut the (A) 2x2" Open Back bottom **AND** (A) 2x2" Midrail to fit firmly between your vertical posts or walls. Using wood or concrete screws, fasten **ONLY** the 2x2" bottom rail along the floor with the open side up. **IMPORTANT** – Make sure the spline groove is facing the desired direction. We recommend facing the screen in for elevated enclosures.

## Step 2

**BEFORE** cutting the two pieces of the (B) Railing Snap, align the end holes equidistant from each vertical post or wall. Then cut equal amounts from both ends of each Railing Snap so the pieces fit with uniform hole spacing in opening. *\*Ensure holes align for both pieces.*

## Step 3

Align (C) 1" Sq. Balusters holes to predrilled holes on the smooth side of (B) Railing Snap. Fasten each baluster with two 1.5" SMS fasteners. Continue fastening all necessary balusters.



## Step 4

Repeat Step 3 at the other end of the (C) "1" Sq. Balusters" to create your railing section

## Step 5

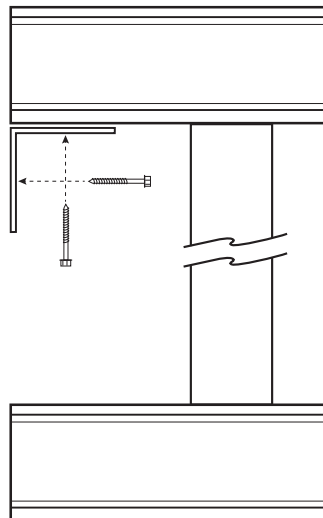
Snap railing section into secured (A) 2x2" Bottom Rail.

## Step 6

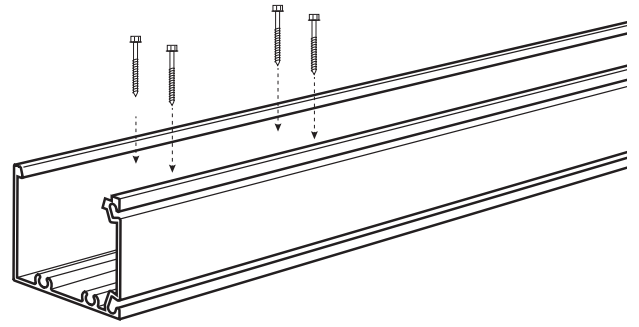
Snap (A) 2x2" Top Rail onto railing assembly. **IMPORTANT:** make sure that the spline grooves face the same direction (diagram A).

## Step 7

Secure top rail to existing posts or walls with (D) Capri Clips and (F) 3/4" Self Drilling Fasteners.

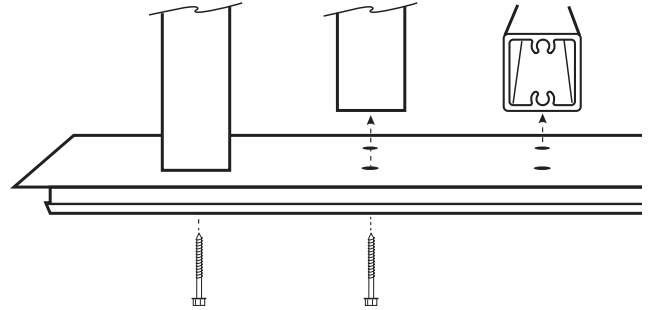


1

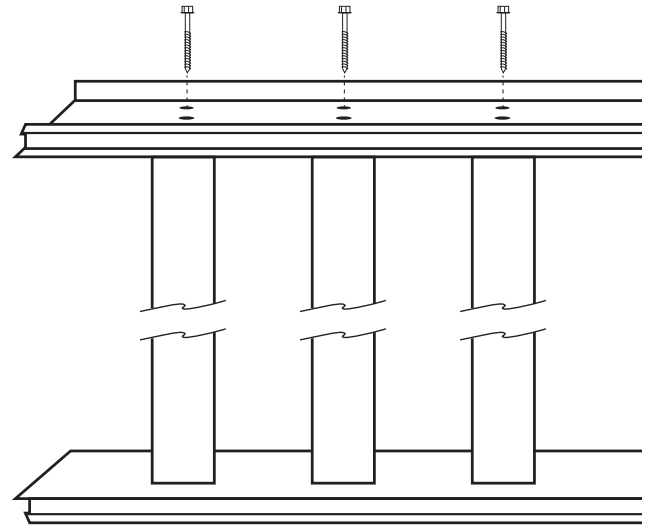


2

3

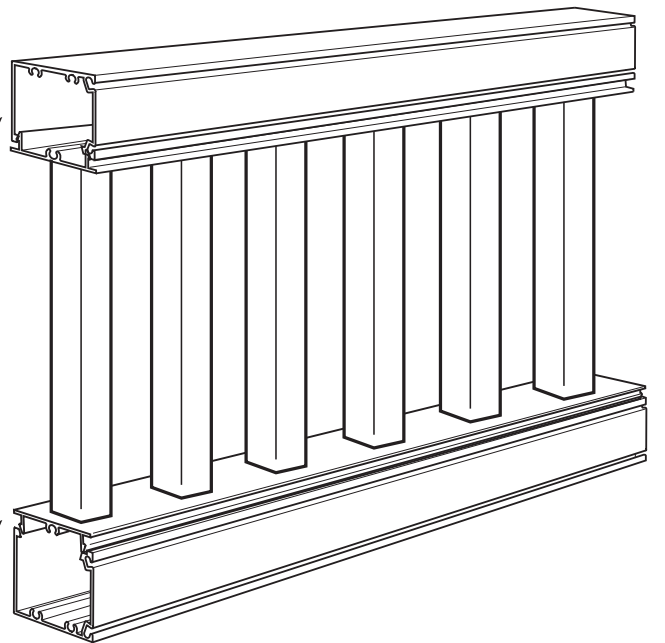


4



**IMPORTANT**  
Make sure the spline groove is facing the desired direction.

6



5

[www.MaddenIndustries.com](http://www.MaddenIndustries.com)

For assistance call:  
573.559.0090